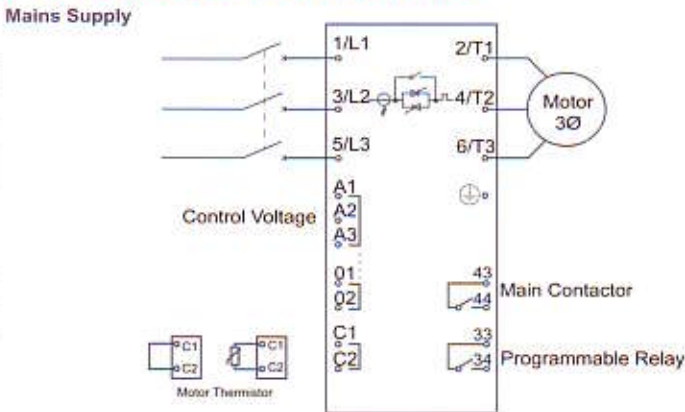


## ELECTRICAL SCHEMATIC



## RANGE

Model	kW @400V	Maximum Motor FLC at 40°C	
		4 x FLC for 6 sec. (AC53b 4-6:354)	4 x FLC for 20 sec. (AC53b 4-20:340)
TMC7-4007-C1	7.5	18 A	17 A
TMC7-4015-C1	15	34 A	30 A
TMC7-4018-C1	18.5	42 A	36 A
TMC7-4022-C1	22	48 A	40 A
TMC7-4030-C1	30	60 A	49 A
		(AC53b 4-6:594)	(AC53b 4-20:580)
TMC7-4037-C1	37	75 A	65 A
TMC7-4045-C1	45	85 A	73 A
TMC7-4055-C1	55	100 A	96 A
TMC7-4075-C1	75	140 A	120 A
TMC7-4090-C1	90	170 A	142 A
TMC7-4110-C1	110	200 A	165 A

## TECHNICAL SPECIFICATIONS:

- Supply Voltage: 200-440 V AC (+10%, -15%) , 3 Ph
- Supply Frequency: 45 - 66 Hz
- Control Voltage: 110-240 V AC or 380 - 440V AC
- Number of Starts: =<30kW: 10 starts /hour  
=>37kW: 6 starts /hour
- Output Relay Contacts: 2A, 400V AC, AC11
- Degree of Protection: =< 55kW: IP20  
> 55kW: IP 00
- Max. Ambient Temperature: 60 Deg C
- Relative Humidity: 5 % to 95 %

## DIMENSIONS

mm (inch)

MODEL	A	B	C	D	E	F
TMC7-4007-C1						
TMC7-4015-C1	98	203	165	55	82	188
TMC7-4018-C1	(3.86)	(7.99)	(6.50)	(2.17)	(3.23)	(7.40)
TMC7-4022-C1						
TMC7-4030-C1						
TMC7-4037-C1	145	215	193		124	196
TMC7-4045-C1	(5.71)	(8.46)	(7.60)		(4.88)	(7.72)
TMC7-4055-C1						
TMC7-4075-C1	202	240	214		160	204
TMC7-4090-C1	(7.95)	(9.45)	(8.40)		(6.30)	(8.03)
TMC7-4110-C1						



## ADJUSTMENTS

1. Motor Full Load Current											
2. Current Ramp											
3. Current Limits											
4. Motor Trip Class											
5. Local Reset Push Button											
6. Soft Stop Time											
7. Excess Start Time											
8. Phase Rotation Protection	<table border="1"> <thead> <tr> <th></th> <th>FWD</th> <th>REV</th> </tr> </thead> <tbody> <tr> <td>L1 L2 L3</td> <td>✓</td> <td>✓</td> </tr> <tr> <td>L1 L2 L3</td> <td>✗</td> <td>✓</td> </tr> </tbody> </table>		FWD	REV	L1 L2 L3	✓	✓	L1 L2 L3	✗	✓	
	FWD	REV									
L1 L2 L3	✓	✓									
L1 L2 L3	✗	✓									
9. Auxiliary Relay Function	 TRIP = Fault										



Above information is subject to change without notice.

TOSHIBA INTERNATIONAL CORP.

INDUSTRIAL SA

W328

©2007 TOSHIBA

TOSHIBA INTERNATIONAL CORP. 4000 WEST 15TH AVENUE, SUITE 100, DENVER, CO 80202, USA



ZENER ELECTRIC VIC. PTY. LTD.

Trading as:

**ZENVIC ELECTRIC**

Sales & Service:

UNIT 2-6, JAPADDY ST.  
MORDIALLOC, VIC. 3195

PHONE: (03) 9587 5313

FAX: (03) 9587 4981

DISTRIBUTED BY: